

Guide for Using the Equipment in Wheeler 409

Room Equipment: Document Camera; DVD/VHS player; 55" HD-TV; cabling for connecting laptop computer
Doc Camera must be turned on to display images on TV.

All equipment in this room is connected to the wall mounted 55" HD-TV.

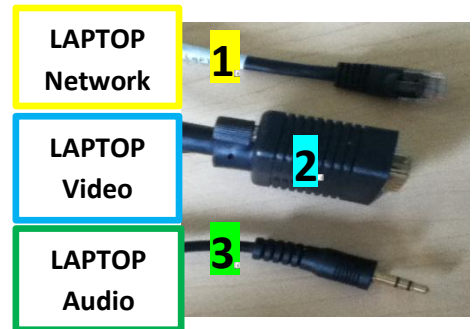
Location of Remote Controls : TV - on the Teaching Station; VHS/DVD - tethered to player

1. If using your laptop: Start with laptop turned off.

For computer image to be displayed,

connect three (3) cables on top of teaching station to laptop

labeled **1) LAPTOP Network** **2) LAPTOP Video** **3) LAPTOP Audio**



2. Turn on the TV

TV remote control is tethered to the top of the Teaching Station

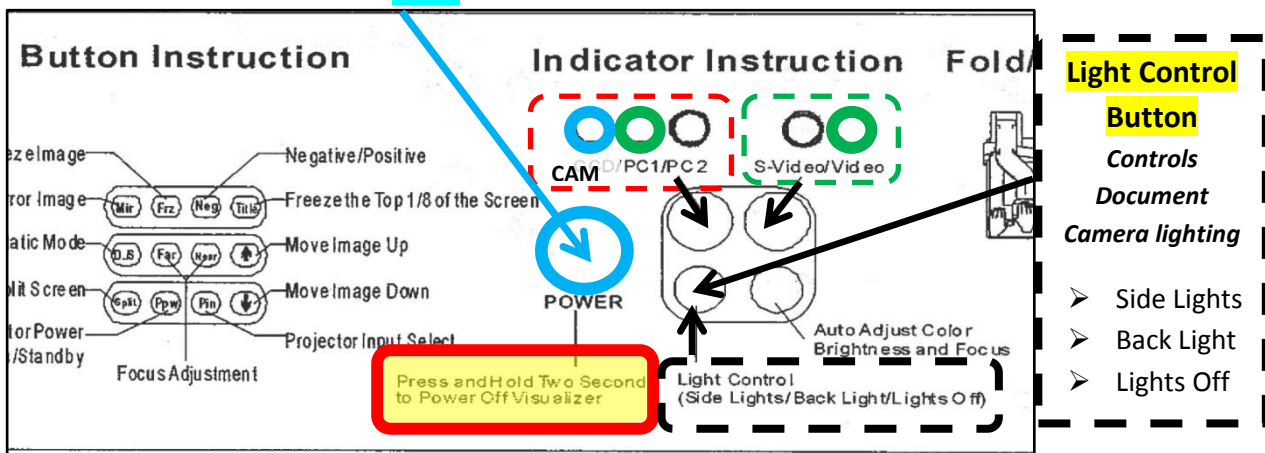
If no signal, check input with remote. Input should be INPUT:PC

3. Turn on your Laptop log on, and wait as it communicates with SMART Board.

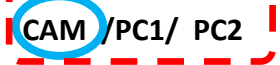
Computer image will be displayed on the SMART Board

4. Press POWER button on the Document Camera. The Doc Camera controls all image displays.

Press and hold until it turns **Blue.**



To display **Document Camera image** > Press the **button labeled** >



displays **lighted blue circle** when selected (see graphic above)

Light Control Button will adjust lighting (see graphic above)

To display **Laptop image** > Press the **button labeled** >



displays **lighted green circle** when selected (see graphic above)

To display **VHS/DVD image** > **Turn player on and load/play video.**

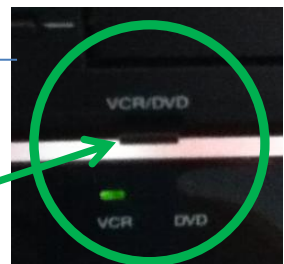
Press the **button labeled** >



displays **lighted green circle** when selected (see graphic above)

Button on center, front of VHS/DVD player controls video input; select VCR or DVD

Remote for VHS/DVD is tethered alongside player



5. POWER OFF 1) Doc Camera 2) TV 3) VHS/DVD Player 4) Laptop & Disconnect cables.

Need assistance? Please contact Becki George, Learning Technology Coordinator, x.1268