

# Guide for Using the Equipment in Wheeler 210

**Room Equipment:** Document Camera; VHS/DVD player; SMART Board; cabling for connecting laptop computer to SMART Board projector and to use SMART Board interactivity All equipment is connected to the SMART Board.

**Location of Remote Controls :** VHS/DVD - tethered to player

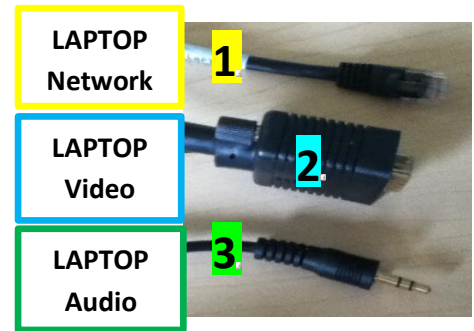
## 1. For computer image to be displayed,

securely connect three (3) cables on top of teaching station to laptop labeled

- 1) LAPTOP Video** **2) LAPTOP Audio** **3) LAPTOP Network**

## 2. To use the interactivity of the SMART Board

Connect a **4<sup>th</sup> cable** labeled **USB LAPTOP SMART Board Control**



## 3. Turn on the SMART Board

Press Power Button on the SMART Board tray.

## 4. Turn on your Laptop

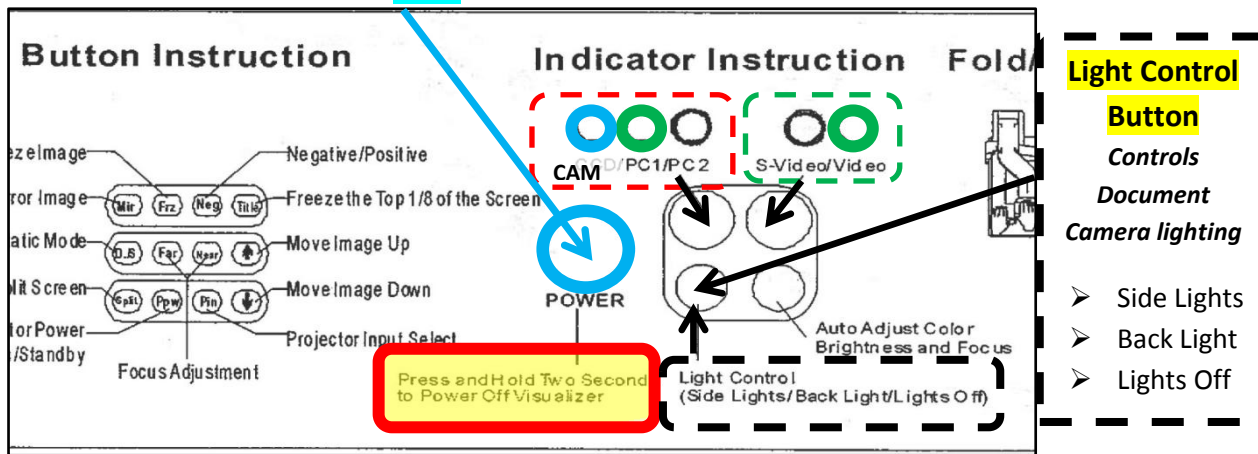
log on, and wait as it communicates with SMART Board.

Computer image will be displayed on the SMART Board

## 5. Press POWER button on the Document Camera.

The Doc Camera controls all image displays.

Press and hold until it turns **Blue**.



To display **Document Camera image** > Press the **button labeled** >



**displays lighted blue circle** when selected (see graphic above)

**Light Control Button** will adjust lighting (see graphic above)

To display **Laptop image** > Press the **button labeled** >



**displays lighted green circle** when selected (see graphic above)

To display **VHS/DVD image** > Turn player on and load/play video.

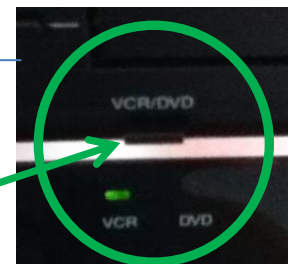
Press the **button labeled** >



**displays lighted green circle** when selected (see graphic above)

Button on center, front of VHS/DVD player controls video input; select VCR or DVD

Remote for VHS/DVD is tethered alongside player



## 5. POWER OFF 1) Doc Camera 2) SMART Board 3) VHS/DVD Player 4) Laptop & Disconnect cables.

Need assistance? Please contact Becki George, Learning Technology Coordinator, x.1268