

# Guide for Using the Equipment in LIB 003

**Room Equipment:** Document Camera; DVD/VHS player; HD-TV; cabling for connecting laptop computer  
*Doc Camera must be turned on to display images on TV.*

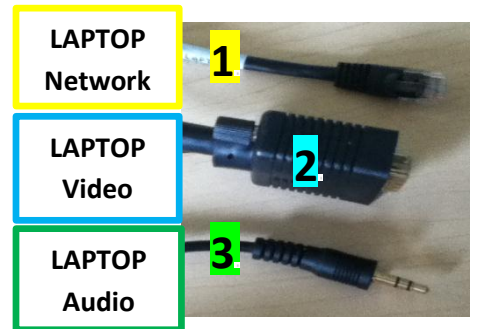
All equipment in this room is connected to the wall mounted HD-TV.

**Location of Remote Controls :** TV - on the Teaching Station; VHS/DVD - tethered to player

## 1. If using your laptop: Start with laptop turned off.

For computer image to be displayed,

connect three (3) cables on top of teaching station to laptop  
 labeled **1) LAPTOP Network** **2) LAPTOP Video** **3) LAPTOP Audio**



## 2. Turn on the TV

TV remote control is tethered to the **top of the Teaching Station**

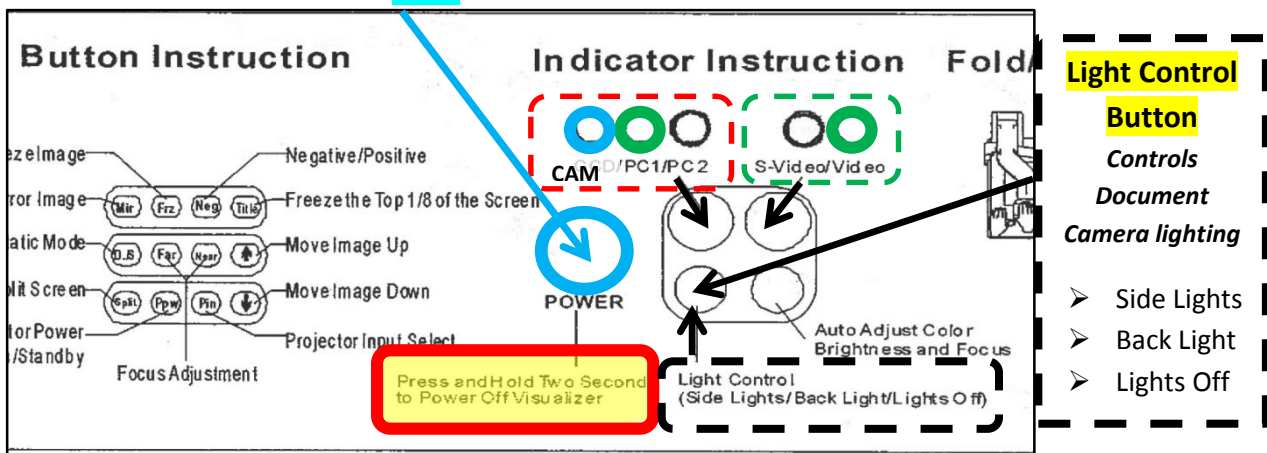
If no signal, check input with remote. **Input should be INPUT:PC**

## 3. Turn on your Laptop log on, and wait as it communicates with SMART Board.

Computer image will be displayed on the SMART Board

## 4. Press POWER button on the Document Camera. The Doc Camera controls all image displays.

Press and hold until it turns **Blue.**



To display **Document Camera image** > Press the **button labeled** > **CAM /PC1/ PC2**

displays **lighted blue circle** when selected (see graphic above)

**Light Control Button** will adjust lighting (see graphic above)

To display **Laptop image** > Press the **button labeled** > **CAM PC1/ PC2**

displays **lighted green circle** when selected (see graphic above)

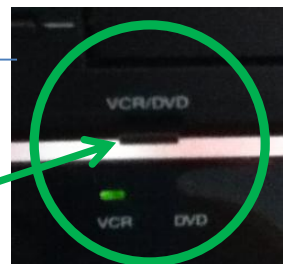
To display **VHS/DVD image** > **Turn player on and load/play video.**

Press the **button labeled** > **S-VIDEO/VIDEO**

displays **lighted green circle** when selected (see graphic above)

**Button on center, front of VHS/DVD player controls video input; select VCR or DVD**

Remote for VHS/DVD is tethered alongside player



## 5. POWER OFF 1) Doc Camera 2) TV 3) VHS/DVD Player 4) Laptop & Disconnect cables.

Need assistance? Please contact Becki George, Learning Technology Coordinator, x.1268